



## DX-1006-T

The DX modular housing arrangement offers a flexible and space conscious solution to integrate our innovative DXO Cartridge in to both new and existing systems. The Delta-Xero system can be configured up to 12 cartridges in parallel as a single unit in a compact and easily maintainable layout.

The unit can be supplied with a number of standard options to provide an effective fluid conditioning and monitoring package to suit the majority of systems. The flexibility of the unit allows tailoring to customer's specific requirements.



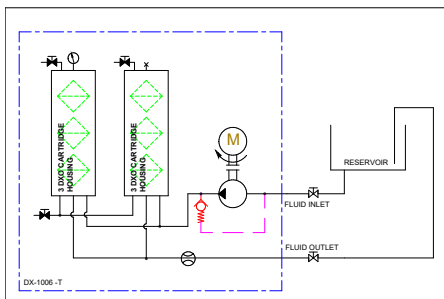
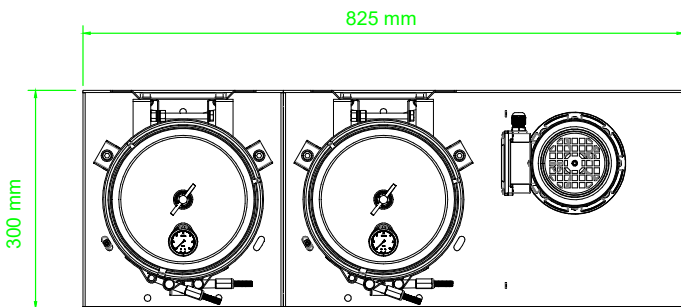
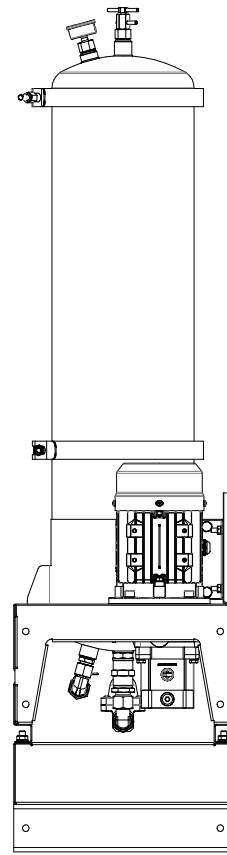
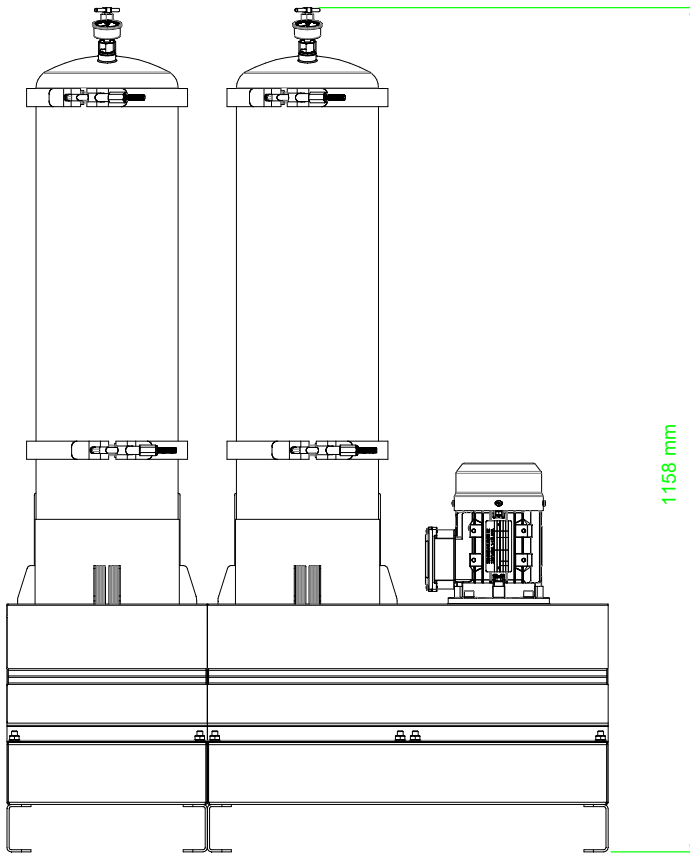
### DX1006-T

Drive Input	Electric or Pneumatic
Connection Ports	3/8" BSP In & Out
Flow Indicator	Visual
Suggested System Volume	Up to 27000l @ 32cSt
Particulate Removal	From 0.1 µ
Weight	55 kg
Dimensions	H 1158 mm x D 300 mm x L 825 mm
Material	SS316
DXO Cartridge QTY	6

Flow Rate varies depending on viscosity, pressure and temperature

Approx flow at 2.7 bar:	32 cSt	46 cSt	68 cSt	100 cSt	220 cSt	320 cSt	460 cSt
	6.25 l/min	5.0 l/min	4.0 l/min	3.0 l/min	2.0 l/min	1.0 l/min	0.6 l/min
Oil Volume	27000ltrs	21000ltrs	18000ltrs	14400ltrs	10800ltrs	4800ltrs	2400ltrs

## General Arrangement



### DXO Cartridge

Contamination capacity:	Up to 4.5kg per DXO
Water absorption, free and bound:	2600ml
Material Insert:	PP Cellulose mix

