

SPEEDO® FILTER HOUSING

Multi Bag series

**Quick opening design
improves work efficiency
with high safety
performance**



Speedo® series of multi-bag filter housings features a self-balancing V-clamp locking mechanism, a break-through from conventional designs. Its single-handed, user-friendly operation makes Speedo your ideal choice for applications with high flow rates requiring frequent bag change-outs. Cost-effective bag filtration ensured by a rugged, corrosion-free V-clamp and exclusive proprietary screw-drive for years of smooth service.

Applications

- Automotive Coatings
- Copper Foil
- Food and Beverage
- Pulp and Paper
- Paints, Inks, Resins and Coatings
- Electronics
- Silicone Industry

Features and benefits

- Self-balancing V-clamp locking mechanism for fast and easy operation.
- Single-handed, user-friendly operation, ideal for applications with high flow rates requiring frequent bag change-outs.

- Minimal downtime reduces operating costs.
- Fully interlocked design for safety under any conditions.
- Proprietary screw-drive for years of smooth service.
- Rugged, corrosion-free V-clamp ensure cost-effective bag filtration.

Filter specifications

No. of Filter Bags

3 / 4 / 6 / 8 / 12 / 17 / 23

Filter Bag Sizes^{1*}

01: Size 01

02: Size 02

Inlet & Outlet

DIN / ANSI

Max. Flow Rates^{2*}

920 m³ / h

Maximum operating temperatures^{3*}

150 °C

Max. Operating Pressure

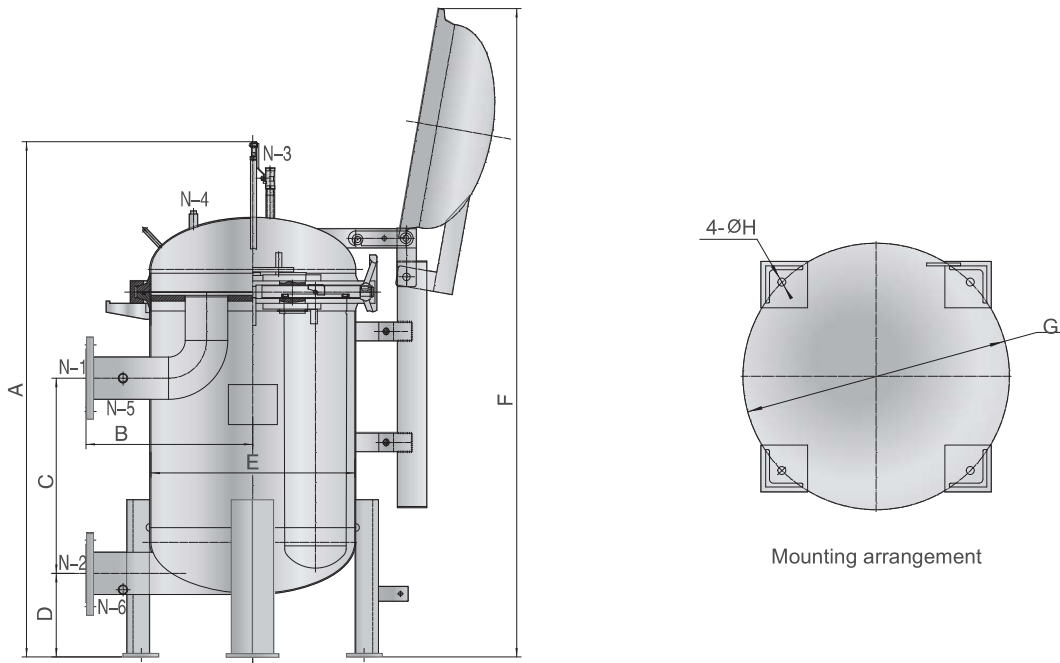
10 bar (145 psi)

1* Size 01 only for No. 3 / 4 bag filter

2* Depending on filter element / fluid , each bag max water flow rate is 40 m³ / h

3* Applicable temperature is determined based on filter bag and seal material

■ Speedo® Filter Range



Retention ratings

Dimensions mm (inch)	3 bags	4 bags	6 bags	8 bags	12 bags	17 bags	23 bags
A	1420 (56)	1342 (53)	1495 (60)	1468 (58)	1612 (64)	1640 (65)	1700 (68)
B	400 (16)	450 (18)	520 (20)	600 (24)	680 (27)	750 (30)	820 (33)
C	520 (20)	527 (21)	450 (18)	528 (21)	528 (21)	450 (18)	535 (21)
D	250 (10)	225 (9)	300 (12)	200 (8)	220 (9)	250 (10)	250 (10)
E	500 (20)	550 (22)	600 (24)	750 (30)	950 (37)	1050 (42)	1200 (48)
F	1806 (71)	1781 (70)	1917 (75)	2029 (79)	2256 (88)	2421 (95)	2586 (101)
G	475 (19)	525 (21)	580 (23)	735 (29)	930 (37)	1040 (41)	1195 (47)
H	Ø18	Ø18	Ø18	Ø18	Ø24	Ø24	Ø24
Specifications	3 bags	4 bags	6 bags	8 bags	12 bags	17 bags	23 bags
Inlet (N1) / Outlet (N2)	DN80 PN16 (3" 150#)	DN100 PN16 (4" 150#)	DN150 PN16 (6" 150#)	DN150 PN16 (6" 150#)	DN200 PN16 (8" 150#)	DN250 PN16 (10" 150#)	DN250 PN16 (10" 150#)
Vent Valve (N3)	NPT1/2"(Rc1/2")	NPT1/2"(Rc1/2")	NPT1/2"(Rc1/2")	NPT1/2"(Rc1/2")	NPT1/2"(Rc1/2")	NPT1/2"(Rc1/2")	NPT1/2"(Rc1/2")
Pressure Gauge (N4)	NPT1/2"(Rc1/2")	NPT1/2"(Rc1/2")	NPT1/2"(Rc1/2")	NPT1/2"(Rc1/2")	NPT1/2"(Rc1/2")	NPT1/2"(Rc1/2")	NPT1/2"(Rc1/2")
Drain (N5/N6)	NPT1 1/4" (Rc1 1/4")	NPT1 1/4" (Rc1 1/4")	NPT1 1/4" (Rc1 1/4")	NPT1 1/4" (Rc1 1/4")	NPT1 1/4" (Rc1 1/4")	NPT1 1/4" (Rc1 1/4")	NPT1 1/4" (Rc1 1/4")
Vessel Volume	180 L (48 gal)	225 L (59 gal)	274 L (72 gal)	450 L (119 gal)	750 L (198 gal)	995 L (263 gl)	1336 L (353 gal)
Net Weight	155 kg (342 lb)	210 kg (463 lb)	255 kg (562 lb)	315 kg (694 lb)	620 kg (1367 lb)	880 kg (1940 lb)	1000 kg (2205 lb)

Order information see page 14

Germany

Wankelstraße 51
D - 50996 Cologne, Germany
Tel: +49 (0) 2236 - 961630 - 0
Fax: +49 (0) 2236 - 961630 - 16

Singapore

No. 9, Kaki Bukit Road 1, #02-09, Eunos
Technolink, Singapore 415938
Tel: +65 6376 3610
Fax: +65 6271 8021

China

Part B, 15th Floor, No.1 Middle FuXing Road,
Huangpu District, Shanghai, P.R. China
Tel: +86 (21) 5169 5266
Fax: +86 (21) 5169 7139

Ordering information

Materials

E: SS 304
 S: SS 316 L
 F: SS 304 L
 B: SS 321
 A: SS 316
 C: Carbon Steel
 I: Titanium
 H: Hastelloy
 L: Aluminium
 D: Super Duplex
 P: Non-Metallic (Plastic)

Special

(blank): No Jacket
 H1: Half Body Jacket
 H2: Full Body Jacket
 H3: Full Jacket Including Lid

Process

Application
 L: Liquid Application
 G: Gas Application

Vessel Type

VM: Vertical Opening
 QV: Speedo Quick Opening Vetical
 ECS: Ecoclear Sideline
 ECT: Ecoclear Topline
 ECF: Ecoclear Flowline
 T: T-handle Filter
 M: Customized / Non- Standard

Filter bag Sizes

01: Ø178×Ø420
 02: Ø178×Ø810
 03: Ø102×Ø230
 04: Ø102×Ø410

Connections Type

040: DN40
 050: DN50
 080: DN80
 100: DN100

Vessel Grade

I: Industrial
 F: Sanitary
 C: Cart Type

Design Pressure

06: 6 bar
 10: 10 bar
 16: 16 bar
 21: 21 bar



Additional Code for Modular Design

(x) M: Modular with Switch Off Valves
 (x) D: Modular without Switch Off Valves

NO. of Filter Bags

01: 1 Bag
 03: 3 Bags
 04: 4 Bags
 06: 6 Bags
 08: 8 Bags
 12: 12 Bags
 17: 17 Bags
 23: 23 Bags

Seal Materials

B: Buna N Rubber
 E: EPDM Rubber
 S: Silicone Rubber
 V: Viton Rubber
 T: Teflon
 A: Metal Spiral Wound Gasket
 C: Teflon Encapsulated Viton Rubber
 D: Teflon Encapsulated Silicone Rubber
 F: Prefluoro Rubber
 N: Neoprene Rubber
 R: Butyl Rubber
 G: Graphite Spiral Wound Gasket

Bag Type

Basket Type
 B: Bag Element Inside
 S: Mesh Basket Inside

Manufacturing Standard

D: DIN/GB Flange Standard
 A: ANSI Flange Standard
 J: JIS (Japan) Flange Standard
 B: BSP Thread Standard
 N: NPT Thread Standard
 V: V- Clamp (Tri Clamp)
 C: Tri-weld
 S: Sanitary Thread Standard

All the information necessary to understand a Feature-Tec bag filter housing description code is listed above. The example description listed, a 2MILBE2302A1050VQVH1 is for a Speedo 23 filter bag housing for 178 x 801 mm filter bags, constructed of 304 stainless steel, rated at 10 bar. The housing has a quick opening mechanism, a viton rubber, does not have a heating jacket and is a "special" design.