

# T-HANDLE FILTER HOUSING

## Single Bag series

Acceptable pressure



The T-Handle filter housing is a small single bag filter, featuring a unique cover and side inlet/bottom outlet design. This housing is capable of handling higher operating pressures and a wider range of piping connections. Its simple structure allows for easy cleaning, making it suitable for various industrial fluid filtration applications.

### Applications

- Food and Beverage
- Metallurgy
- Chemicals
- Paints, Graphite, Resins
- Automotive
- Electronics
- Petrochemicals

- An integrated bag seat provides ease of cleaning of inner walls.
- Lateral flow design prevents fluid splashing.
- High quality electrolytic polished basket to support filter bag.

### Max. Flow Rates<sup>1\*</sup>

20 m<sup>3</sup> / h

### Maximum operating temperatures<sup>2\*</sup>

150 °C

### Max. Operating Pressure

21 bar (304 psi)

<sup>1\*</sup> Depending on process fluid, the maximum flow rate for a size 4 filter bag housing is 20m<sup>3</sup> / h.

<sup>2\*</sup> Applicable temperature is determined based on filter bag and seal material

### Features and benefits

- Design pressure up to 21 bar.
- T-Handle filter' s connection type allows for easy installation.
- Small housing reduces fluid loss during changeout.

### Filter specifications

#### No. of Filter Bags

1

#### Filter Bag Sizes

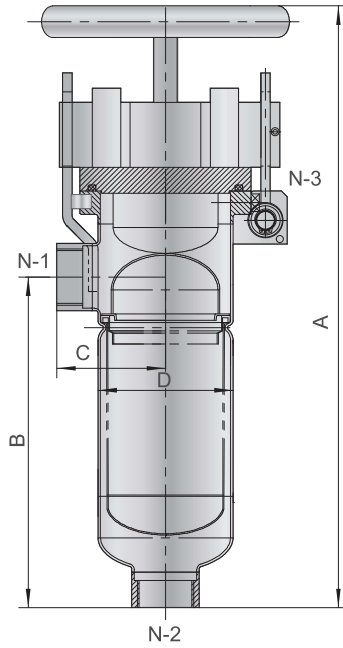
01: Size 03

02: Size 04

#### Inlet & Outlet

DIN / ANSI / BSP / NPT

■ T-handle Filter Range



**Retention ratings**

Dimensionsmm (inch)	Size 03 mm (inch)	Size 04 mm (inch)
A	539 (21)	713 (28)
B	92 (3.6)	92 (3.6)
C	280 (11)	450 (18)
D	114 (4.5)	114 (4.5)
Specifications	Size 03 mm (inch)	Size 04 mm (inch)
Inlet (N1) / Outlet (N2)	Flange: DN40 PN40 (1 1/2" 300#) / BSP1 1/2" (NPT1 1/2" )	Flange: DN40 PN40 (1 1/2" 300#) / BSP1 1/2" (NPT1 1/2" )
Vent Valve (N3)	NPT1/4"(Rc1/4")	NPT1/4"(Rc1/4")
Vessel Volume	3.5 L ( 0.9 gal )	5 L ( 1.3 gal )
Net Weight	13.5 kg ( 30 lb )	14 kg ( 31 lb )

**Order information see page 14**

**Germany**

Wankelstraße 51  
 D - 50996 Cologne, Germany  
 Tel: +49 (0) 2236 - 961630 - 0  
 Fax: +49 (0) 2236 - 961630 - 16

**Singapore**

No. 9, Kaki Bukit Road 1, #02-09, Eunos  
 Technolink, Singapore 415938  
 Tel: +65 6376 3610  
 Fax: +65 6271 8021

**China**

Part B, 15th Floor, No.1 Middle FuXing Road,  
 Huangpu District, Shanghai, P.R. China  
 Tel: +86 (21) 5169 5266  
 Fax: +86 (21) 5169 7139

## Ordering information

### Materials

E: SS 304  
 S: SS 316 L  
 F: SS 304 L  
 B: SS 321  
 A: SS 316  
 C: Carbon Steel  
 I: Titanium  
 H: Hastelloy  
 L: Aluminium  
 D: Super Duplex  
 P: Non-Metallic (Plastic)

### Special

(blank): No Jacket  
 H1: Half Body Jacket  
 H2: Full Body Jacket  
 H3: Full Jacket Including Lid

### Process

#### Application

L: Liquid Application  
 G: Gas Application

### Filter bag Sizes

01: Ø178×Ø420  
 02: Ø178×Ø810  
 03: Ø102×Ø230  
 04: Ø102×Ø410

### Vessel Type

VM: Vertical Opening  
 QV: Speedo Quick Opening Vetical  
 ECS: Ecoclear Sideline  
 ECT: Ecoclear Topline  
 ECF: Ecoclear Flowline  
 T: T-handle Filter  
 M: Customized / Non- Standard

### Connections Type

040: DN40  
 050: DN50  
 080: DN80  
 100: DN100

### Vessel Grade

I: Industrial  
 F: Sanitary  
 C: Cart Type

### Design Pressure

06: 6 bar  
 10: 10 bar  
 16: 16 bar  
 21: 21 bar



### Additional Code for Modular Design

(x) M: Modular with Switch Off Valves  
 (x) D: Modular without Switch Off Valves

### Bag Type

#### Basket Type

B: Bag Element Inside  
 S: Mesh Basket Inside

### NO. of Filter Bags

01: 1 Bag  
 03: 3 Bags  
 04: 4 Bags  
 06: 6 Bags  
 08: 8 Bags  
 12: 12 Bags  
 17: 17 Bags  
 23: 23 Bags

### Manufacturing Standard

D: DIN/GB Flange Standard  
 A: ANSI Flange Standard  
 J: JIS (Japan) Flange Standard  
 B: BSP Thread Standard  
 N: NPT Thread Standard  
 V: V- Clamp (Tri Clamp)  
 C: Tri-weld  
 S: Sanitary Thread Standard

### Seal

#### Materials

B: Buna N Rubber  
 E: EPDM Rubber  
 S: Silicone Rubber  
 V: Viton Rubber  
 T: Teflon  
 A: Metal Spiral Wound Gasket  
 C: Teflon Encapsulated Viton Rubber  
 D: Teflon Encapsulated Silicone Rubber  
 F: Prefluoro Rubber  
 N: Neoprene Rubber  
 R: Butyl Rubber  
 G: Graphite Spiral Wound Gasket

All the information necessary to understand a Feature-Tec bag filter housing description code is listed above. The example description listed, a 2MILBE2302A1050VQVH1 is for a Speedo 23 filter bag housing for 178 x 801 mm filter bags, constructed of 304 stainless steel, rated at 10 bar. The housing has a quick opening mechanism, a viton rubber, does not have a heating jacket and is a "special" design.